



ADVANCED PRESSURE TECHNOLOGY

# SERIES AK 9200 SINGLE STAGE REGULATOR FLOW RATES TO 2,000 SLPM (71 SCFM)



- ◆ SS 316 construction
- ◆ High performance / high flow
- ◆ Cleaned for O<sub>2</sub> service
- ◆ 3/4 inch port size
- ◆ Tied diaphragm design
- ◆ Vacuum to 300 psig (21 bar) inlet
- ◆ Machined from bar stock
- ◆ Diffusion resistant metal diaphragm
- ◆ Field repairable
- ◆ Knob LOTO option  
(refer to AP KL data sheet)
- ◆ Installation and operating instructions available at [www.aptech-online.com](http://www.aptech-online.com) in the Tech Briefs section

## ENGINEERING DATA

### Operating Parameters

Source pressure	AK 9200	vacuum to 300 psig (21 bar)
Delivery pressure	AK 9202	1 to 30 psig (0.07 to 2 bar)
	AK 9206	2 to 60 psig (0.14 to 4 bar)
	AK 9210	2 to 100 psig (0.14 to 7 bar)
	AK 9215	5 to 150 psig (0.34 to 10 bar)
Proof pressure		150% of operating pressures
Burst pressure		300% of operating pressures

### Other Parameters

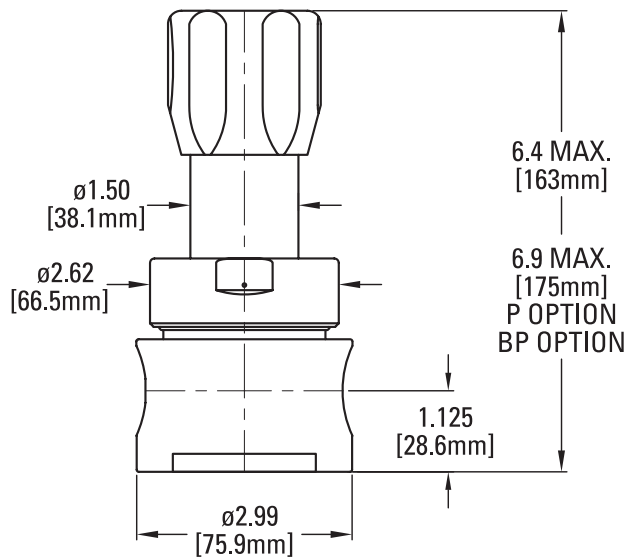
Inlet /outlet connectors	3/4" NPT or compression
Flow coefficient, Cv	1.6
Internal volume	2.2 in <sup>3</sup> (36 cm <sup>3</sup> )
Operating temperature	-40° to +160°F (-40° to +71°C)
Leak rate	1 x 10 <sup>-9</sup> sccs
Supply pressure effect	7 psig per 100 psig source pressure change

## MATERIALS OF CONSTRUCTION

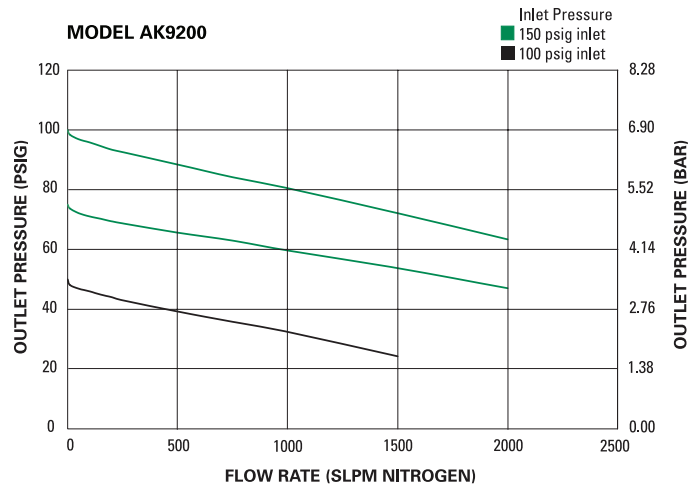
Body, nozzle	<b>AK 9200 S</b> SS 316L
Poppet	SS 316
Diaphragm	Ni-Cr-Mo alloy / UNS N06022
Seat	PFA

All specifications subject to change without notice.

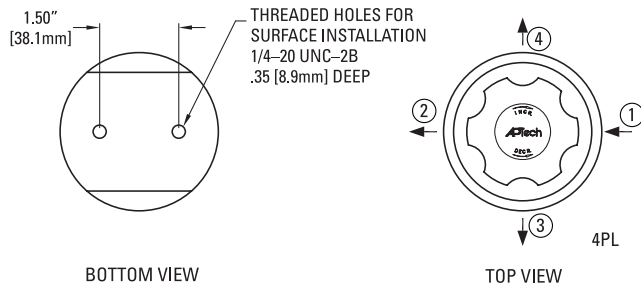
# SERIES AK 9200 — SERVICE AND SUPPORT BEYOND COMPARE



All dimensions in inches (mm).  
Metric dimensions are for reference only.



## Porting Configurations



**NOTE:** Ports, other than 1 and 2, are only available 1/4 inch NPT.

**CAUTION:** Product selection is the sole responsibility of the user, regardless of any recommendations or suggestions made by the factory. The user shall make selections based upon their own analysis and testing with regard to function, material compatibility and product ratings. Proper installation, operation and maintenance are also required to assure safe, trouble free performance.

## ORDERING INFORMATION

AK 9210 Series	S Material	4PL Ports	12 ① 12 ② Ports	0 ③ V3 ④ Ports (Gauge/Accessory)	P Options
AK 9202 = 1-30 psig (0.07 to 2 bar) AK 9206 = 2-60 psig (0.14 to 4 bar) AK 9210 = 2-100 psig (0.14 to 7 bar) AK 9215 = 5-150 psig (0.34 to 10 bar)	S = Stainless steel (SS)	4PL = 4 ports	12 = 3/4 inch NPT 12T = 3/4 inch compression	0 = No gauge or device installed V3 = 30-0-30 psig/bar 1 = 30-0-100 psig/bar 2 = 0-200 psig/bar NOTE: Designations required for all four ports.	P = Panel installation* BP = Bonnet vent port KL = Knob LOTO (refer to AP KL data sheet)  *Panel hole 1.56" diameter.

AP Tech has product options and variations which are not documented in data sheets. If you have a model number that is not defined by the ordering information, please consult the factory or your local representative.