

# SERIES KT 10

## SINGLE STAGE HIGH PRESSURE REGULATOR

### HIGH RELIABILITY AND SAFETY BY DESIGN



- ◆ 10,000 psig inlet (690 bar)  
5 to 10,000 psig outlet  
(0.35 to 690 bar)
- ◆ Stainless steel or brass construction
- ◆ Self relieving and non-relieving versions\*
- ◆ Machined from bar stock
- ◆ Field repairable
- ◆ Fine adjustment control
- ◆ Piston sensing element
- ◆ Low flow, 0.06 C<sub>v</sub>  
(HF option, 0.12 C<sub>v</sub>)
- ◆ Optional seat and seal materials available

\*Self relieving model vents pressure above set point automatically for ease of pressure adjustment and for added safety. Non-relieving model does not vent.

\*\*Specific device rating is the lowest of the ratings of body, seat and option selected.

\*\*\*Device delivery pressure cannot exceed its source pressure rating.

#### ENGINEERING DATA

##### Operating Parameters

Source pressure\*\*

SS body	10,000 psig (690 bar)
Brass body	6,000 psig (414 bar)
Vespel seat	10,000 psig (690 bar)
PEEK seat	6,000 psig (414 bar)
HF option	6,000 psig (420 bar)

Delivery pressure\*\*\*

5 to 500 psig (0.34 to 34 bar)
5 to 800 psig (0.34 to 55 bar)
10 to 1,500 psig (0.7 to 103 bar)
15 to 2,500 psig (1 to 172 bar)
25 to 4,000 psig (1.7 to 276 bar)
50 to 6,000 psig (3.5 to 414 bar)
100 to 10,000 psig (7 to 690 bar)

Design proof pressure

150% of maximum rating

Design burst pressure

400% of maximum rating

##### Other Parameters

Inlet/outlet ports	1/4" NPT (options available)
Flow coefficient C <sub>v</sub>	0.06 (opt HF 0.12)
Operating temperature	-40 to +160F (-40 to +71C)
Leak rate	Bubble tight
Self relieving*	Standard, non-relieving optional (must be specified)

Shipping weight (approx.) 5 lbs

#### MATERIALS OF CONSTRUCTION

	KT 10C
Body	SS, 300 series
Inlet filter	SS, 316
Piston and trim	SS, 300 series
Seat, main valve	Vespel® (option available)
Seat, vent valve	PCTFE
O-rings	Viton® (option available)
Rings, back up	PTFE

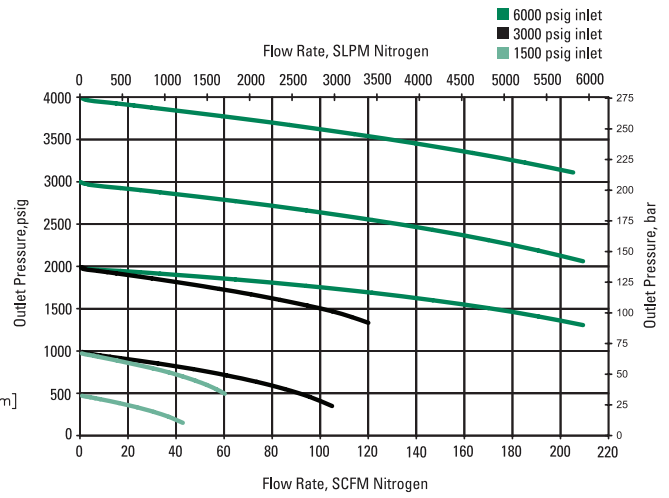
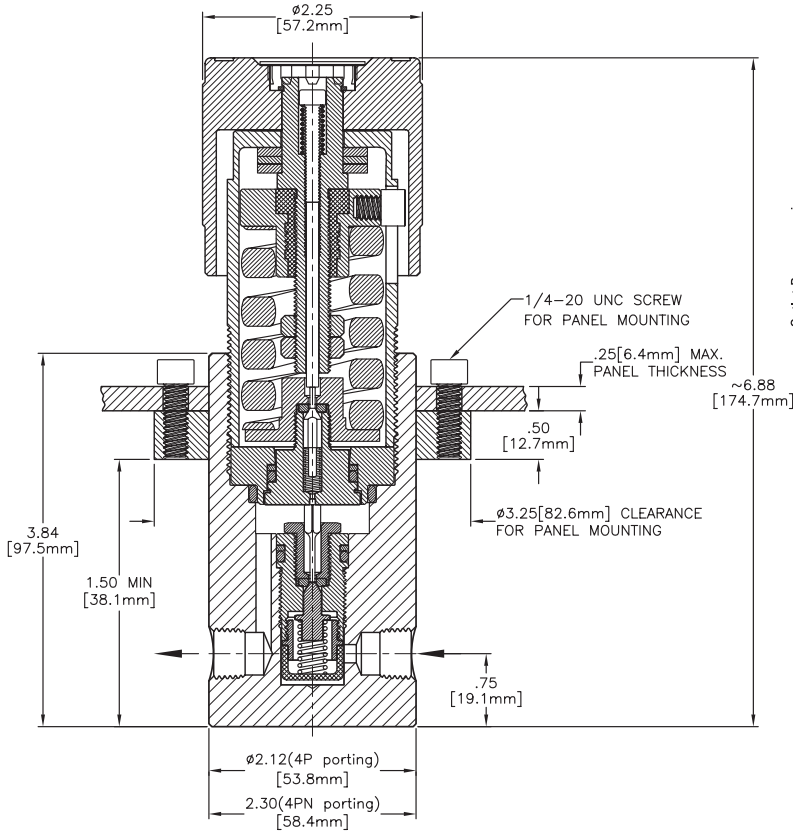
KT 10B
Brass
Bronze
SS, 300 series
Vespel (option available)
PCTFE
Viton (option available)
PTFE

All specifications subject to change without notice.

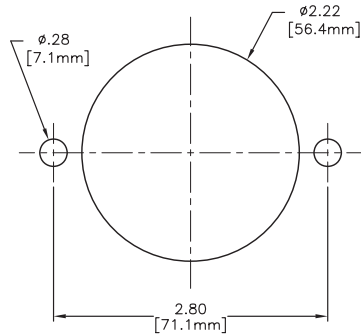
Viton® DuPont

Vespel® DuPont

# SERIES KT 10 — QUALITY, RELIABILITY & PERFORMANCE!

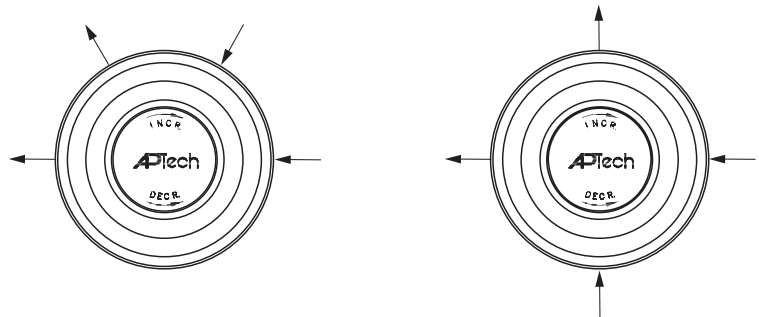


## Panel Installations



Panel mount cut out dimension

## Porting



4P

4PN

(4PN available as standard only with 4B connection)

## ORDERING INFORMATION

KT 10 Series	L Pressure Range	1 Self-Relieving Non-Relieving	C Body Material	4P Ports	4 Connection	60 20 Gauge (Source/Delivery)	PK Options
KT 10F = 5-500 psig (0.34 to 34 bar)				4P = 4 ports	4 = 1/4 inch NPT	0 = No gauge	P = Panel installation
KT 10H = 5-800 psig (0.34 to 55 bar)				4PN = 4 ports (S material only)	(4P porting only)	6 = 600 psig/bar	HF = High flow
KT 10J = 10-1,500 psig (0.7 to 103 bar)					4B = MS33649 (4PN porting only)	10 = 1,000 psig/bar	PK = PEEK main valve seat
KT 10L = 15-2,500 psig (1 to 172 bar)						20 = 2,000 psig/bar	UE = Polyurethane O-rings
KT 10N = 25-4,000 psig (1.7 to 276 bar)						40 = 4,000 psig/bar	BN = Buna-N O-rings
KT 10P = 50-6,000 psig (3.5 to 414 bar)						60 = 6,000 psig/bar	EP = Ethylene propylene O-rings
KT 10R = 100-10,000 psig (7 to 690 bar) SS only						Q = 10,000 psig/bar	
1 = Self relieving (venting)							
0 = Non-relieving (non-venting)							
B = Brass (4P porting only)							
C = Stainless steel (SS), 300 series (4P porting only)							
S = 316 SS (4PN porting only)							
						NOTE: Gauges are not available with 4B connections	