



SERIES SL 5400

SPRINGLESS REGULATOR

Intermediate pressure and flow range

- Single stage
- 10 µin. surface finish (7 and 5 µin. optional)
- 316L SS VAR secondary remelt construction
- Vacuum to 1000 psig (69 bar) inlet
- UHP Semiconductor cleaned, assembled, tested and packaged
- Cylinder and point of use applications

Operating Parameters

Source pressure	vacuum to 1,000 psig (69 bar)
Delivery pressure	SL 5402 1 to 30 psig (0.07 to 2 bar)
	SL 5406 1 to 60 psig (0.07 to 4 bar)
	SL 5410 2 to 100 psig (0.14 to 7 bar)
Proof pressure	3,000 psig (207 bar)
Burst pressure	6,000 psig (414 bar)

Other Parameters

Inlet /outlet connectors	1/4, 3/8 or 1/2 inch face seal or tube weld
Bonnet port	1/8 inch NPT
Flow coefficient (Cv)	0.23
Internal volume	1.2 in ³ (19.7 cm ³)
Operating temperature	-40° to +160°F (-40° to +71°C)
Surface finish	10 µin (0.25 µm) Ra max standard; 7 µin (0.18 µm); and 5 µin (0.13 µm) optional
Inboard leakage	2 x 10 ⁻¹⁰ sccs
Outboard leakage	2 x 10 ⁻⁹ sccs He at 1,000 psig inlet pressure
Leakage across seat	4 x 10 ⁻⁸ sccs He at 1,000 psig inlet pressure
Installation	surface or panel (optional)
Delivery pressure rise	1.6 psig per 100 psig source pressure drop

Materials

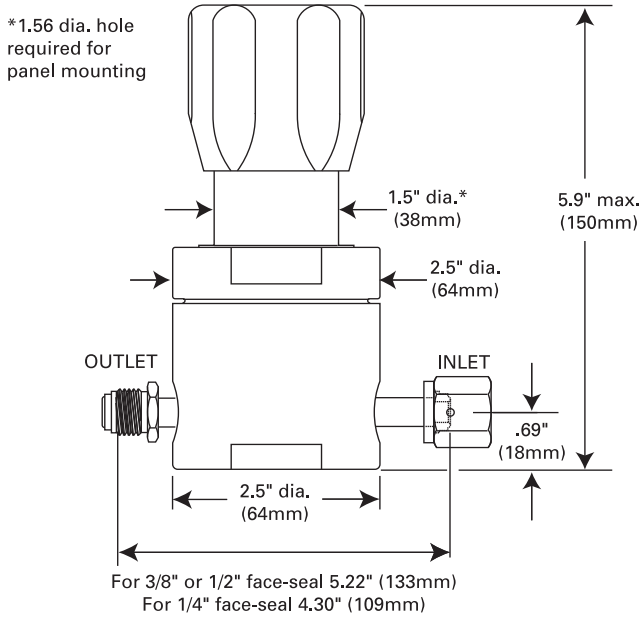
	Series SL 5400 S Noncorrosive	Series SL 5400 SH Corrosive
Type of Service		
Wetted Parts		
Body	SS 316L secondary remelt	SS 316L secondary remelt
Diaphragm	SS 316L	SS 316L
Poppet	stainless steel 316L	Hastelloy® alloy C-22®
Finish	electropolished and passivated	electropolished and passivated
Seat	PCTFE (Vespel® optional)	PCTFE

All specifications subject to change without notice.

Hastelloy® C-22® Haynes Corporation Vespel® DuPont

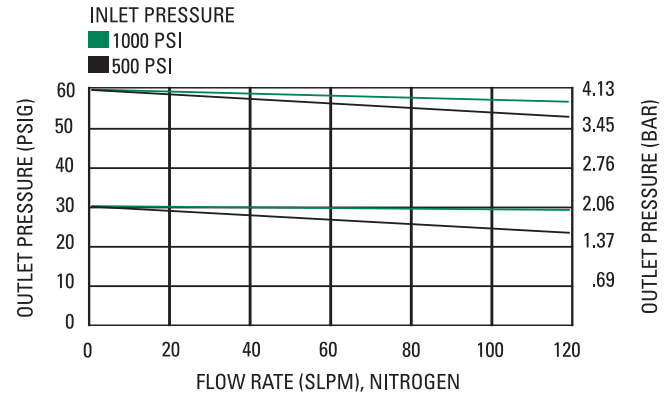
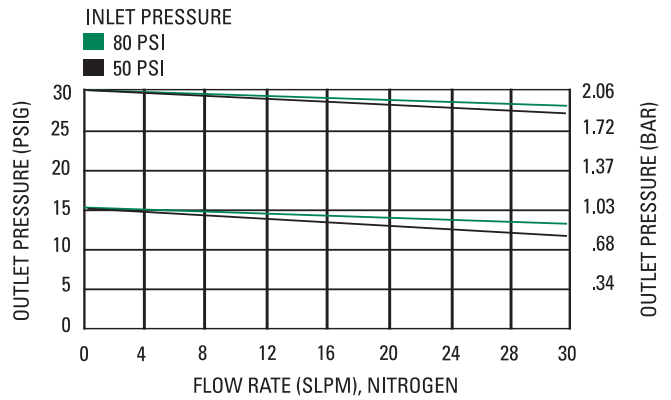
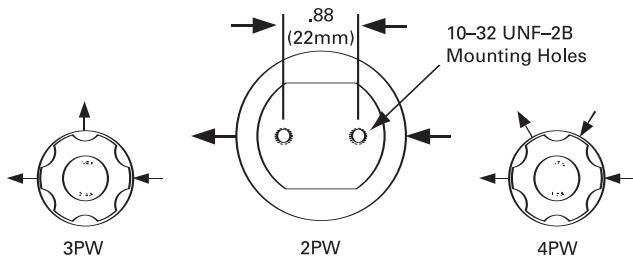
SERVICE AND SUPPORT BEYOND COMPARE

DIMENSIONAL INFORMATION



All dimensions in inches (mm). Metric dimensions are for reference only.

PORTING CONFIGURATIONS



ORDERING INFORMATION

Sample Order Number **SL 5406SM 4PW FV4 FV4 10 L P**

SL 5406 Series	SL 5402 = 1-30 psig (.07 to 2 bar) SL 5406 = 1-60 psig (.07 to 4 bar) SL 5410 = 2-100 psig (.14 to 7 bar)
S Material	S = Stainless steel (SS) SH = SS/Hastelloy alloy C-22 poppet
M Surface Finish Options	M = 10 μin. Ra max (standard) V = 7 μin. Ra max X = 5 μin. Ra max
4PW Ports	2PW = 2 ports butt weld 3PW = 3 ports butt weld 4PW = 4 ports butt weld

FV4 FV4 Connections Inlet / Outlet	FV4 = 1/4 inch face seal female MV4 = 1/4 inch face seal male FV6 = 3/8 inch face seal female MV6 = 3/8 inch face seal male FV8 = 1/2 inch face seal female MV8 = 1/2 inch face seal male
---	--

Tube weld stub available

10 L Gauges* Source / Delivery	0 = No gauge V3 = 30-0-30 psig/bar L = 30-0-60 psig/bar 1 = 30-0-100 psig/bar 2 = 0-200 psig/bar 4 = 0-400 psig/bar 10 = 0-1000 psig/bar
---	--

* Standard gauge ports are 1/4 inch face seal male

P Options	P = Panel installation** VS = Vespel seat
--------------------	--

** On panel mount option, bonnet port is not threaded. Panel hole 1.56" diameter.